



ISTITUTO ITALIANO
DI TECNOLOGIA

TITLE

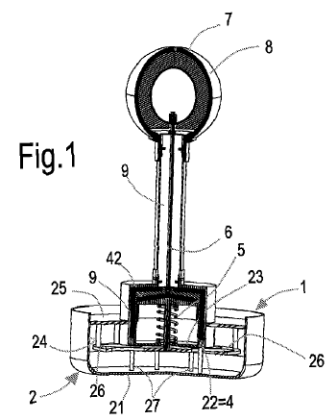
Autonomous Variable Buoyancy Device

INVENTORS

Fornai Francesco, Ferri Gabriele, Saviozzi Giacomo, Mazzolai Barbara, Laschi Cecilia, Dario Paolo

DESCRIPTION

The present invention refers to a device, that is autonomous or that can be associated with another structure, for the passive and the cyclical variation of the buoyancy configuration, which can be used in particular, but not exclusively, in the field of equipment for monitoring the environment.



APPLICATIONS

Monitoring, sensing

KEYWORDS

Autonomous, buoyancy, environment, cyclical variation

BIBLIOGRAPHIC DATA

Dispositivo Per La Variazione Passiva E Ciclica Dell'assetto Di Galleggiamento

Application Number IT F12011A000246

Priority Date 10/11/2011

Applicants Fondazione Istituto Italiano di Tecnologia, Scuola Superiore Sant'Anna

CONTACTS

Technology Transfer Office

Lorenzo Rossi

+39 010 71781 489

lorenzo.rossi@iit.it