



ISTITUTO ITALIANO
DI TECNOLOGIA

TITLE

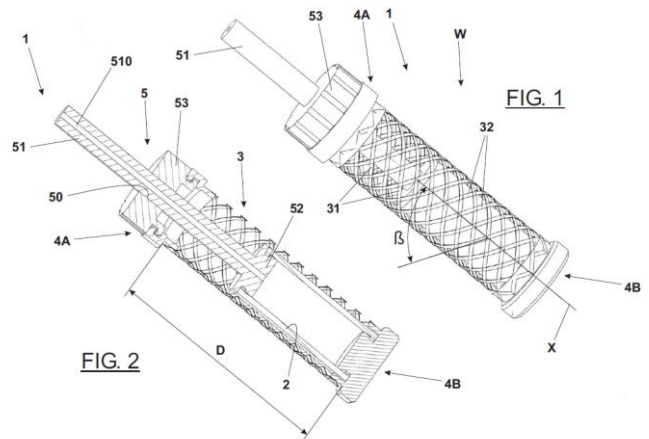
Dispositivo Pneumatico Per L'Azionamento di Organi

INVENTORS

Barabara Mazzolai, Matteo Cianchetti, Paolo Dario, Cecilia Laschi, Hassan Shah Syed Taimoor

DESCRIPTION

The invention relates to an linear fluidic actuator, in particular in the field of the well-known bi-directional artificial muscles. The device is able to contract, extend and also self-stiffen.



APPLICATIONS

Artificial muscle, automatic control

KEYWORDS

Pneumatic muscle, Pneumatic Actuators, Artificial muscle, Fluidic muscle, Hydraulic muscle, McKibben muscle

BIBLIOGRAPHIC DATA

Pneumatic actuating device

Application Number IT 102015000028263

Priority Date 26/06/2015

Applicants Scuola superiore Sant'Anna, Fondazione Istituto Italiano di Tecnologia

CONTACTS

Technology Transfer Office

Lorenzo Rossi

Lorenzo.rossi@iit.it

+39 010 71781 489