



ISTITUTO ITALIANO  
DI TECNOLOGIA

#### TITLE

Stiffness Adjustable Rotary Joint

#### INVENTORS

Pane Gianluca, Amir Jafari, Nikos Tsagarakis, Darwin Caldwell

#### DESCRIPTION

The invention relates to a compact and light stiffness-adjustable rotary joint with a low energy consumption and which allows to adjust the stiffness in an even wider range than the prior art.

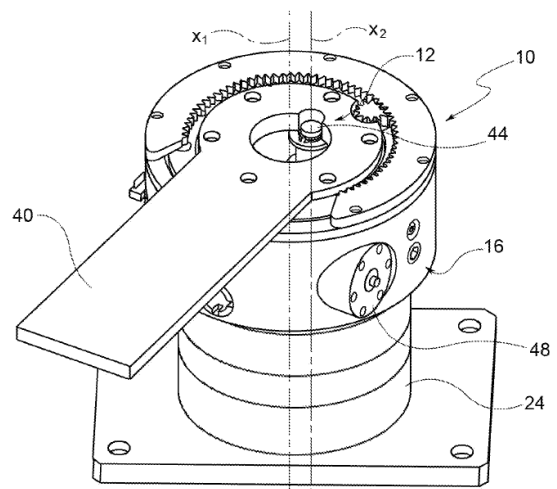


FIG. 1

#### APPLICATIONS

Humanoid robotics, exoskeleton

#### KEYWORDS

Joint, rotary, compact, adjustable stiffness

#### BIBLIOGRAPHIC DATA

Giunto rotante a rigidità regolabile

Application Number TO2010A000779

Priority Date 23/9/10

Applicants Fondazione Istituto Italiano di Tecnologia

#### CONTACTS

Technology Transfer Office

Lorenzo Rossi

+39 010 71781 489

lorenzo.rossi@iit.it