



ISTITUTO ITALIANO
DI TECNOLOGIA

TITLE

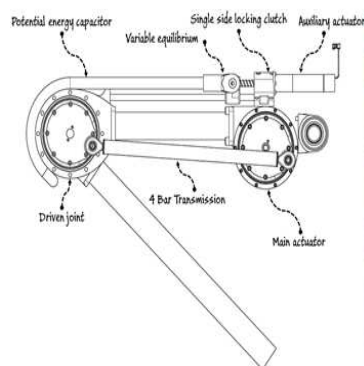
Improved agonist - antagonist actuated joint

INVENTORS

Nikolaos Tsagarakis, Stephen Morfey, Darwin Caldwell

DESCRIPTION

The invention relates to an actuated joint comprising a first element mobile over a second element, a first actuator and a second actuator linked at said first and second elements in order to control in agonist-antagonist manner the movement of the joint, in which the first actuator has a maximum or nominal power higher respect the second actuator. The second actuator comprises at least a first extensible elastic element in order to accumulate a maximum amount of elastic energy greater than the first actuator.



APPLICATIONS

Robotic actuation, biological actuation

KEYWORDS

Actuated joint, high-power, energy storage,

BIBLIOGRAPHIC DATA

Giunto perfezionato con attuazione agonista - antagonista

Application Number

TO2013A000551

Priority Date

July 2, 2013

Applicants

Fondazione Istituto Italiano di Tecnologia

CONTACTS

Technology Transfer Office

Lorenzo Rossi

+39 010 71781 489

lorenzo.rossi@iit.it