



ISTITUTO ITALIANO  
DI TECNOLOGIA

## TITLE

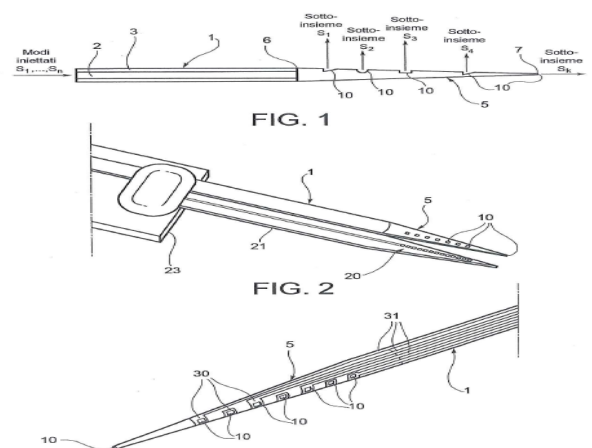
Optogenetic tool for multiple and independently addressing of patterned optical windows

## INVENTORS

Ferruccio Pisanello, Luigi Martiradonna, Leonardo Sileo, Ian Ant3n Oldenburg, Marco Pisanello, Bernardo Sabatini, John Assad, Massimo De Vittorio

## DESCRIPTION

The invention relates to a multi-point light-delivering device, comprising a waveguide carrying light along a longitudinal axis and including multiple optical windows, through which the carried light is out-coupled from the waveguide. The waveguide comprises a tapered region along which the optical windows are distributed, wherein each optical window out-couples a specific subset of propagating modes of the carried light, to which the optical window is matched



## APPLICATIONS

In-vitro experiments, tissues targeting, medical devices

## KEYWORDS

Neurons, optogenetic, light, waveguide, optical window

## BIBLIOGRAPHIC DATA

Strumento Optogenetico Per L'Indirizzamento Multiplo Ed Indipendente Di Finestre Ottiche Pattermate

Application Number IT TO2013A000603

Priority Date July 17, 2013

Applicants Fondazione Istituto Italiano di Tecnologia, President and fellows of Harvard College

## CONTACTS

Technology Transfer Office

Lorenzo Rossi

+39 010 71781 489

lorenzo.rossi@iit.it