



ISTITUTO ITALIANO  
DI TECNOLOGIA

#### TITLE

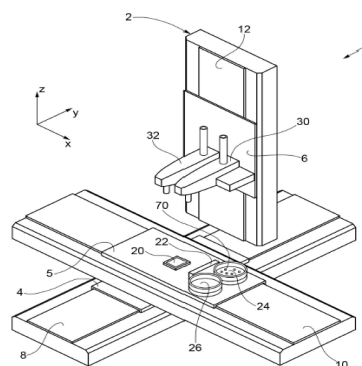
System for manufacturing a scaffold for a cell culture including a pneumatic device for transferring microparticles, and related scaffold

#### INVENTORS

Lucio Rossi, Alessia Luciani, Paolo Netti

#### DESCRIPTION

The invention relates to a system for manufacturing a scaffold for a cell culture including a transferring device that picks a particle from a plurality of particles arranged in a container and places singularly the picked particle in contact with a scaffold support matrix.



#### APPLICATIONS

Regenerative Medicine, Tissue Engineering

#### KEYWORDS

Scaffolds, Bioactive Hydrogels, Tissue reconstruction, Controlled Biochemical Factors Delivery, Rapid Prototyping, Particle micro-positioning

#### BIBLIOGRAPHIC DATA

Sistema Per La Fabbricazione Di Uno Scaffold Per Coltura Cellulare Includente Un Dispositivo Pneumatico Di Trasferimento Di Particelle E Relativo Scaffold

Application Number	IT TO2013A000822
Priority Date	October 10, 2013
Applicants	Fondazione Istituto Italiano di Tecnologia

#### CONTACTS

Technology Transfer Office	Augusta Galano	+39 010 71781 568
		augusta.galano@iit.it