



ISTITUTO ITALIANO  
DI TECNOLOGIA

## TITLE

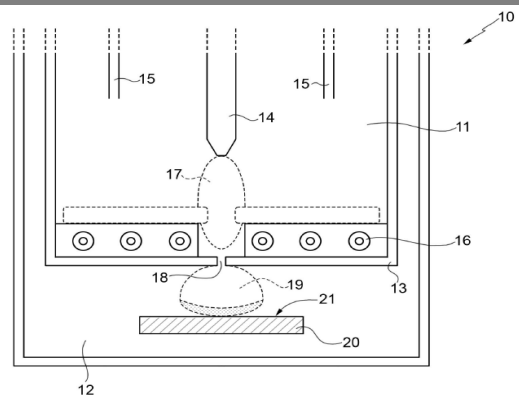
Method for the fabrication of one-dimensional porous photonic crystals

## INVENTORS

Fabio di Fonzo, Luca Passoni, Luigino Criante, Francesco Scotognella, Francesco Fumagalli

## DESCRIPTION

The present invention relates to methods for the preparation of one-dimensional photonic crystals using pulsed laser deposition technique or using assisted supersonic jet plasma deposition technique.



## APPLICATIONS

Nanostructures

## KEYWORDS

1D Bragg Mirrors, 1D Photonic Crystal, Bragg Mirror, Photonic Crystal, 1D Porous Bragg Mirrors, 1D Porous Photonic Crystal, Porous Bragg Mirror, Porous Photonic Crystal, Periodic Dielectric Reflector, Wavelength filters.

## BIBLIOGRAPHIC DATA

Metodo Di Fabbricazione Di Cristalli Fotonici Porosi Monodimensionali

Application Number IT TO2013A000975

Priority Date November 29, 2013

Applicants Fondazione Istituto Italiano di Tecnologia

## CONTACTS

Technology Transfer Office

Augusta Galano

+39 010 71781 568

augusta.galano@iit.it