



ISTITUTO ITALIANO  
DI TECNOLOGIA

## TITLE

Deformable actuator with coaxial configuration

## INVENTORS

Pierluigi Freni, Matteo Stoppa

## DESCRIPTION

The device relates to a deformable actuator with an axial configuration comprising a structure composed by concentric layers formed by an overlap of at least two electro-active layers and at least three conductive layers. The device comprising a control system able to supply each layer with a distinct value of voltage/current.

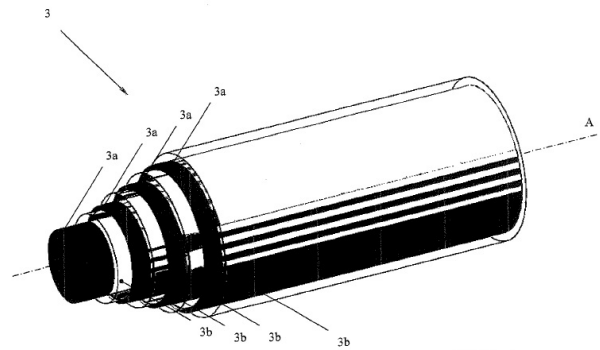


FIG. 1

## APPLICATIONS

Artificial muscles, active prosthesis, rehabilitation

## KEYWORDS

Coaxial, actuator, concentric layers, electro-active, conductive

## BIBLIOGRAPHIC DATA

Dispositivo attuatore deformabile a configurazione coassiale

Application Number IT TO2014A000241

Priority Date March 24, 2014

Applicants Fondazione Istituto Italiano di Tecnologia, Politecnico di Torino

## CONTACTS

Technology Transfer Office

Lorenzo Rossi

lorenzo.rossi@iit.it

+39 010 71781 489