



ISTITUTO ITALIANO  
DI TECNOLOGIA

## TITLE

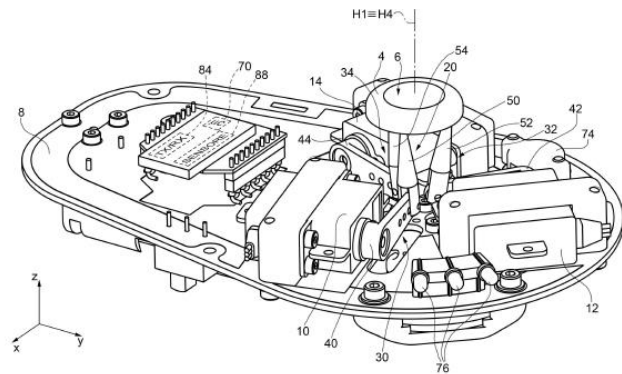
A HAPTIC INTERFACE SYSTEM FOR PROVIDING A HAPTIC STIMULUS INDICATIVE OF A VIRTUAL RELIEF

## INVENTORS

Luca Brayda, Diego Torazza, Giorgio Zini, Giulio Sandini

## DESCRIPTION

A haptic interface system comprising a shell which may be manipulated by a user, an actuator mechanically coupled to the shell and configured to provide a haptic stimulus upon a finger tip of the user and a motor assembly configured to move the actuator according to three degrees of freedom.



## APPLICATIONS

Mouse-shaped devices, assistive device

## KEYWORDS

Touch, haptics, proprioception, somesthesia, device

## BIBLIOGRAPHIC DATA

Sistema Di Interfaccia Aptica Per Fornire Uno Stimolo Aptico Indicativo Di Un Rilievo Virtuale

Application Number IT TO2014A000458

Priority Date June 6, 2014

Applicants Fondazione Istituto Italiano di Tecnologia

## CONTACTS

Technology Transfer

Lorenzo Rossi

lorenzo.rossi@iit.it

+39 010 71781 489